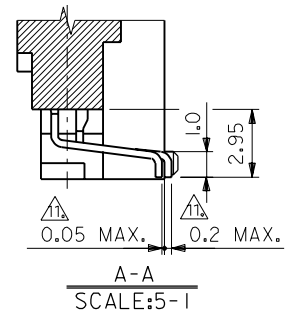
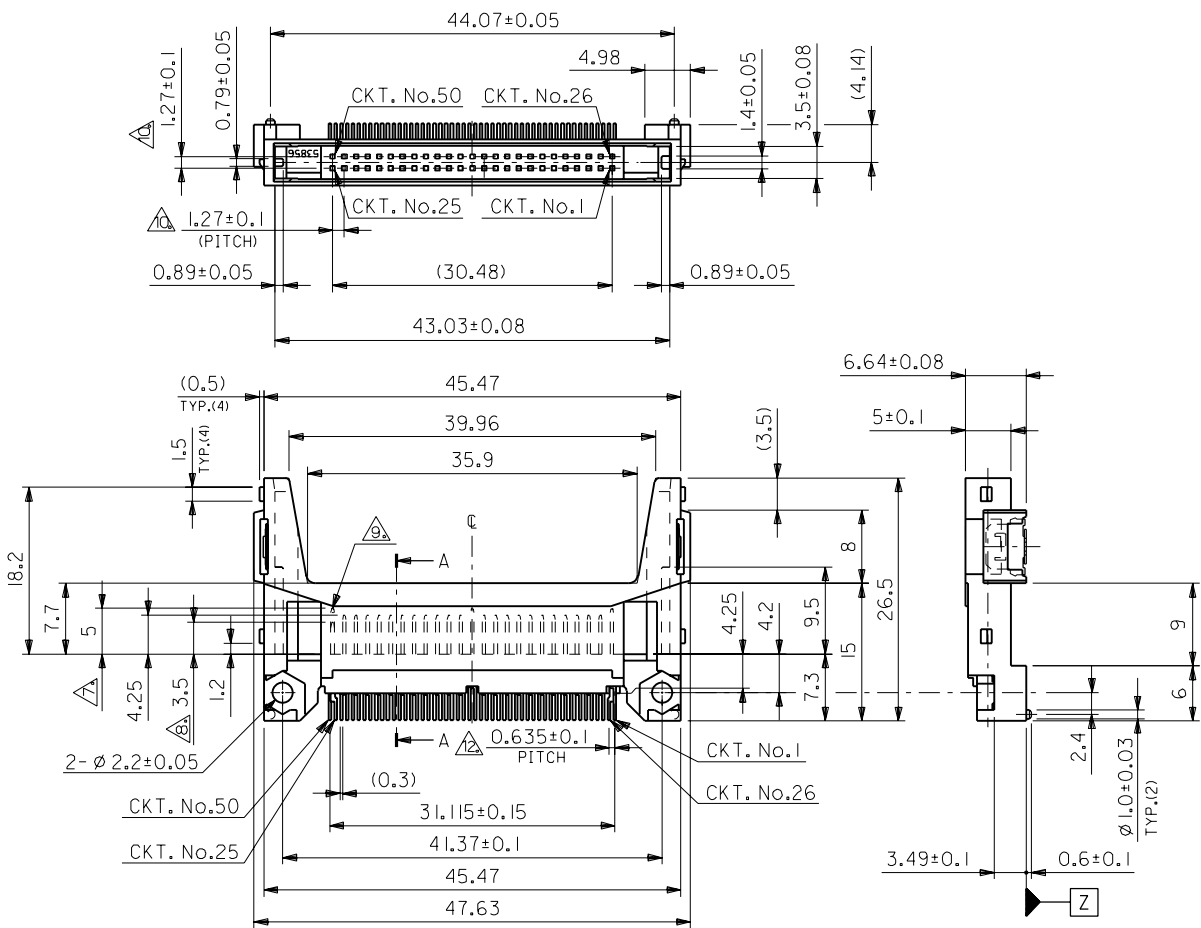


DWG. NO. SD-53856-002



BLACK	53856-5011	50
WHITE	53856-5010	50
HOUSING COLOR	ENG. No.	No. OF CKT.

53856-501*	MODEL No.	DIMENSIONS:		SHT	REV
2 - 1	<input checked="" type="checkbox"/> mm <input type="checkbox"/> INCH	<input type="checkbox"/> mm <input type="checkbox"/> INCH	<input checked="" type="checkbox"/> mm ONLY	REVISE ON CAD ONLY	
THIRD ANGLE PROJECTION	TITLE:				
DRAWN BY & DATE <i>T. Hanaya</i> '00/03/10	CF CARD CONN. 50P HEADER ASS'Y				
CHECKED BY & DATE <i>M. Saito</i> '00/03/10	MATERIAL NO. SEE CHART				
APPROVED BY & DATE <i>[Signature]</i> '00/03/10	DRAWING NO. SD-53856-002				
CAD FILENAME SD-53856-002.S01	SHEET NO. 1 OF 2		SIZE B		
THIS DRAWING CONTAINS INFORMATION THAT IS PROPRIETARY TO MOLEX INCORPORATED AND SHOULD NOT BE USED WITHOUT WRITTEN PERMISSION.					

DO NOT SCALE DRAWING

EC NO. DRWN: CHK: APPR:	EC NO. DRWN: CHK: APPR:	EC NO. DRWN: CHK: APPR:	EC NO. DRWN: CHK: APPR:	EC NO. DRWN: CHK: APPR:	RELEASED EC NO. JD2000-0925 DRWN: THANYU '00/03/10 CHK: MSASAO '00/03/10 APPR: HIKE SUGI '00/03/10	MATERIAL 材料	DESCRIPTION	WIRE RANGE 通所面積範囲	INS. RANGE 被覆外径
					SEE NOTES	SEE NOTES			

GENERAL TOLERANCES: (UNLESS SPECIFIED) 一般公差	SCALE	DESIGN UNITS
10 UNDER 未満	2 - 1	<input checked="" type="checkbox"/> mm <input type="checkbox"/> INCH
10 OVER 以上	30 UNDER 未満	
30 OVER 以上		
ANGLE 角度		

DWG. NO. SD-53856-002

E

D

▽

C

B

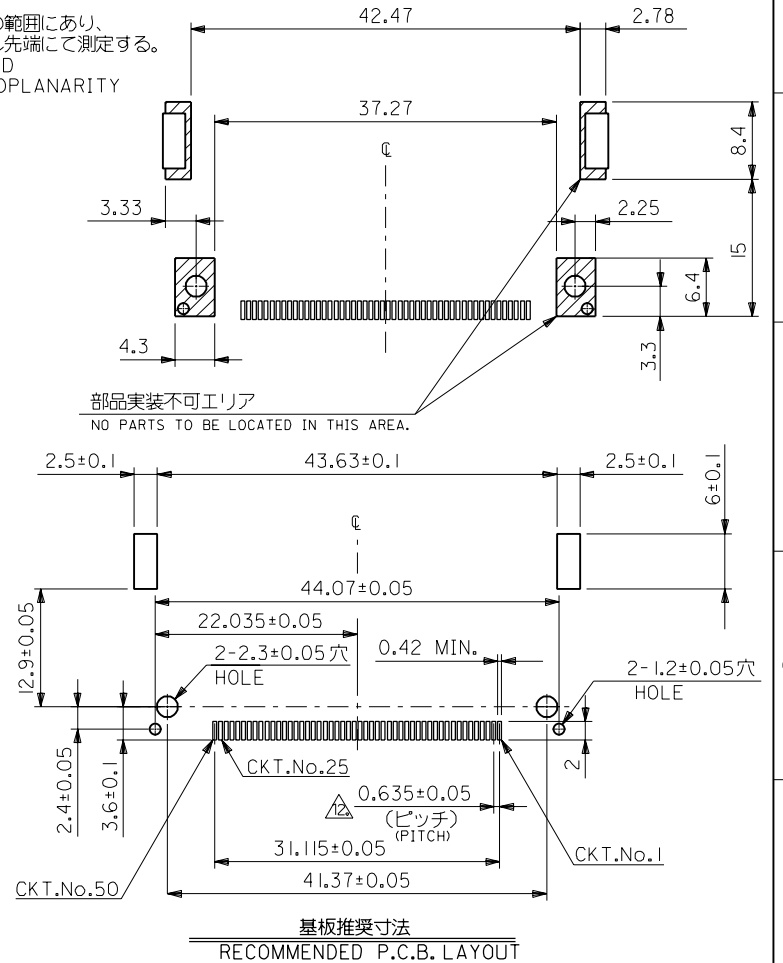
DO NOT SCALE DRAWING

注) NOTES

- 1. 材質 MATERIAL
ハウジング: ガラス入り LCP UL94V-0
HOUSING: LCP G.F. UL94V-0
ピン : リン青銅
PIN: PHOSPHOR BRONZE
ネール : リン青銅
NAIL: PHOSPHOR BRONZE
- 2. メッキ仕様 PLATING
PIN 接点部 : パラジウムニッケル下地, 金メッキ
CONTACT AREA: Au OVER Pd-Ni
半田付け部: 半田メッキ
SOLDER TAIL AREA: TIN-LEAD
下地メッキ: ニッケルメッキ
UNDERPLATING: Ni OVER ALL
NAIL 半田メッキ
Sn-Pb
下地メッキ: 銅メッキ
UNDERPLATING: Cu OVER ALL
- 3. 推奨基板厚 : t0.8 MIN.
RECOMMENDED P.C.B. THICKNESS: t0.8 MIN.
- 4. 適合カード厚 RECOMMENDED CARD THICKNESS
接続部: 3.3±0.1
CONNECTING AREA: 3.3±0.1
- 5. 適合カード幅: 42.8±0.1
RECOMMENDED CARD WIDTH: 42.8±0.1
- 6. ハウジング色:
HOUSING COLOR:
53856-5010: 白 (WHITE)
53856-5010: 黒 (BLACK)
- △ 寸法適用極: 1,13,38,50
THIS DIMENSION APPLIES TO CIRCUIT NUMBERS 1,13,38 AND 50.
- △ 寸法適用極: 25,26
THIS DIMENSION APPLIES TO CIRCUIT NUMBERS 25 AND 26.
- △ ピンの倒れは、ピン根元を基準に全方向へ 0.1 MAX.とする。
PIN TIP LEAN TOWARD ANY DIRECTION NOT TO EXCEED 0.1 WHEN MEASURED FROM PIN BASE.
- △ ピン根元に適用する。
THIS DIMENSION TO BE MEASURED AT PIN BASE.

△ ソルダータールは、Z面を基準とし上へ 0.05 下へ 0.2 の範囲にあり、且つソルダータールの平坦度は、0.15 MAX.とし、テール先端にて測定する。
SOLDERTAILS TO BE WITHIN 0.05 UPWARD AND 0.2 DOWNWARD FROM Z-DATUM PLACE, AND COPLANARITY OF SOLDERTAILS TO BE WITHIN 0.15. MEASUREMENT POINT IS SOLDERTAILS TIP.

△ 公差非累積
NON-CUMULATIVE



F

E

D

C

B

SD-53856-002.S02

EC NO. DRWN: CHK: APPR:	EC NO. DRWN: CHK: APPR:	EC NO. DRWN: CHK: APPR:	EC NO. DRWN: CHK: APPR:	EC NO. DRWN: CHK: APPR:	O	REV	MATERIAL 材料	GENERAL TOLERANCES: (UNLESS SPECIFIED) 一般公差	SCALE 2=1	DESIGN UNITS <input checked="" type="checkbox"/> mm <input type="checkbox"/> INCH	THIRD ANGLE PROJECTION <input type="checkbox"/> mm <input type="checkbox"/> INCH <input checked="" type="checkbox"/> mm ONLY	DIMENSIONS:		SHT	REV			
							FINISH 仕上げ					10 UNDER 未済	+0.2	TITLE: CF CARD CONN. 50P HEADER ASS'Y		REVISE ON CAD ONLY		
							WIRE RANGE 適用線径範囲					10 OVER 以上	30 UNDER 未済	+0.25	APPROVED BY & DATE <i>H. Sasao</i> '00/03/10		MATERIAL NO.	DRAWING NO.
							INS. RANGE 被覆外径					30 OVER 以上	+0.3	CAD FILE NAME SD-53856-002.S02		MATERIAL NO.	DRAWING NO.	SHEET NO.
								ANGLE 角度 +3°				THIS DRAWING CONTAINS INFORMATION THAT IS PROPRIETARY TO MOLEX INCORPORATED AND SHOULD NOT BE USED WITHOUT WRITTEN PERMISSION.		SIZE B				
												EN-02J(097) MXJ-54						